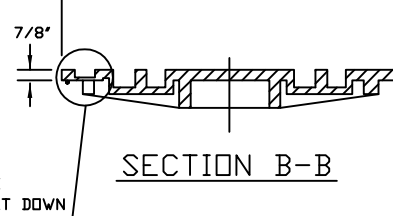
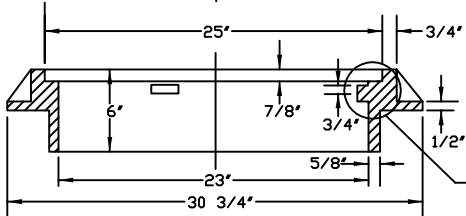
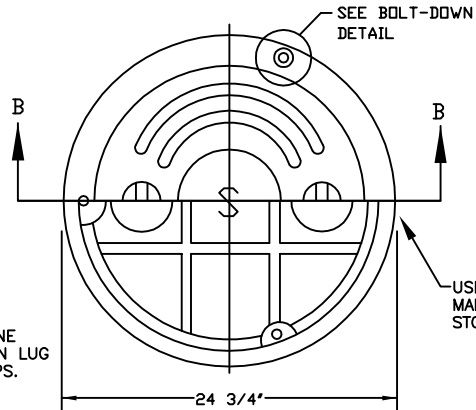
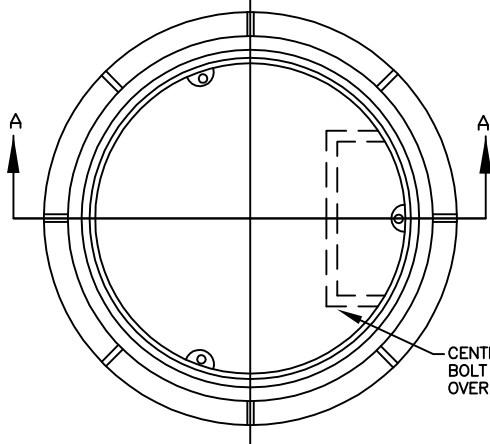


TAMPERPROOF MANHOLE RING

3-BOLT DOWN COVER

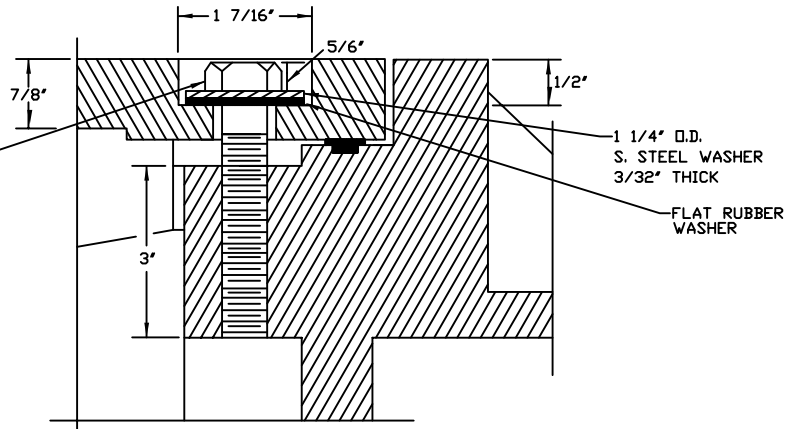


SECTION A-A

SECTION B-B

1/2"-13 N.C. X 1 1/8"  
HEX HEAD STAINLESS STEEL  
CAP SCREW.  
3 REQ'D. PER COVER.

BOLT-DOWN  
DETAIL



NOTE: COVER AND FRAME SHALL BE OF GRAY CAST IRON A.S.T.M. A-48 CLASS 30.



**WATER  
ENVIRONMENT  
SERVICES**  
A Department of Clackamas County

TITLE: <b>SECURE MANHOLE DETAIL</b>		SHEET: <b>10 OF 18</b>
FILE NAME: <b>SAN-010</b>	DRAWN BY: <b>WDK</b>	REV. DATE: <b>10/5/94</b>
SCALE: <b>NOT TO SCALE</b>	DATE: <b>06/19/2001</b>	CHECKED BY: <b>RHH</b>