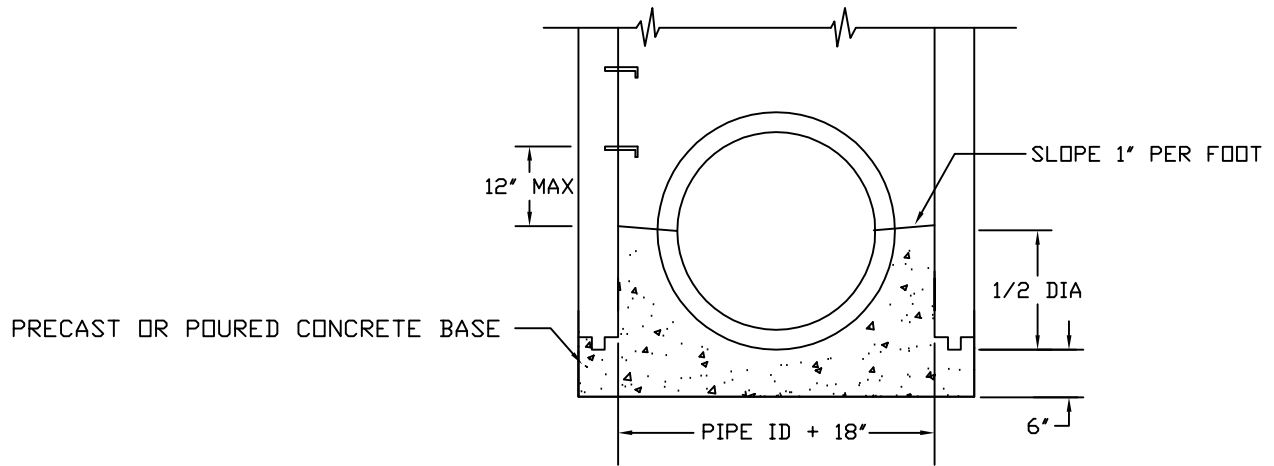


POLYETHYLENE STEPS
 / IRON REINFORCEMENT
 8"x12" WIDE, 2", DROP
 IMBEDDED 3", ON 12"
 CENTERS (TYPICAL)



TYPICAL MANHOLE
24" TO 48" PIPE



TITLE: TYP. MANHOLE - 24" TP 48" PIPE		SHEET: 14 OF 18
FILE NAME: SAN-014	DRAWN BY: WDK	REV. DATE: 10/5/94
SCALE: NOT TO SCALE	DATE: 06/19/2001	CHECKED BY: RHH