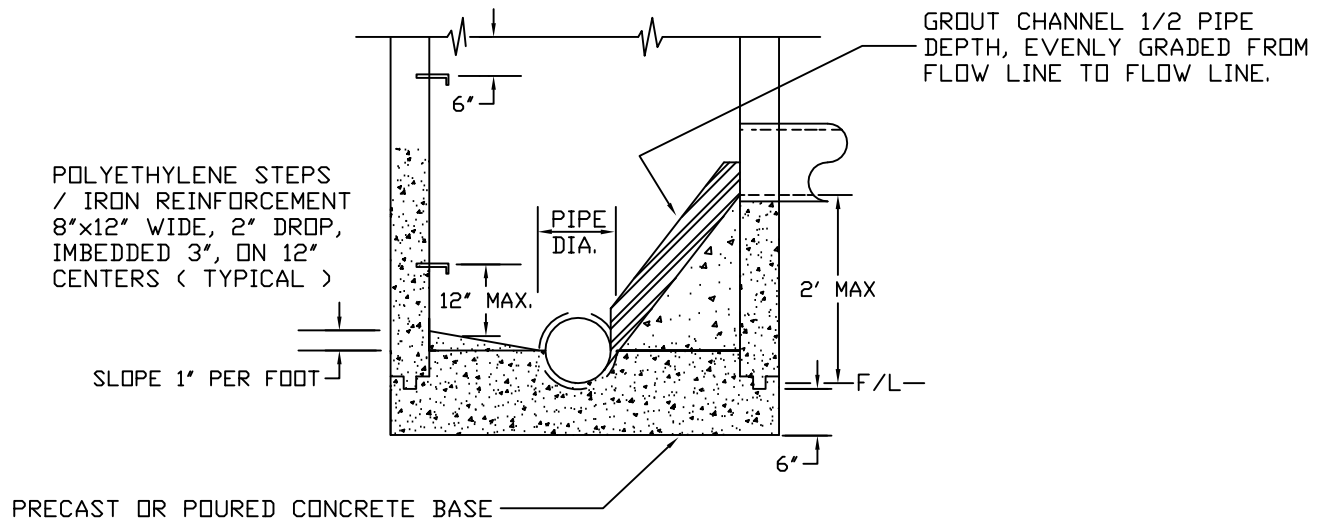


NOTE: CHANNELS MUST BE
ABLE TO PASS A 7"x30"
CYLINDER INTO PIPES



TYPICAL MANHOLE HAVING FALL
LESS THAN 2'

(BY SPECIAL PRE-APPROVAL ONLY)



TITLE: FALLS LESS THAN 2'		SHEET: 15 OF 18	
FILE NAME: SAN-015	DRAWN BY: WDK	REV. DATE: 10/5/94	
SCALE: NOT TO SCALE	DATE: 06/19/2001	CHECKED BY: RHH	