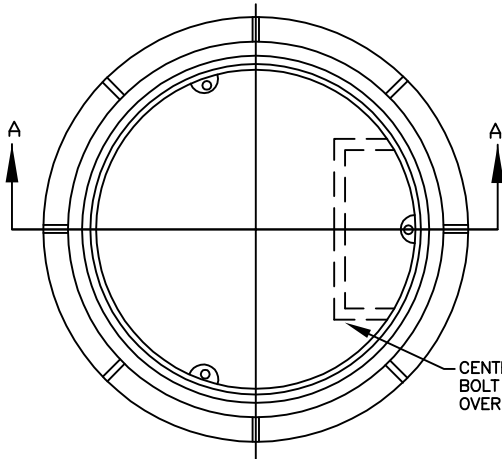
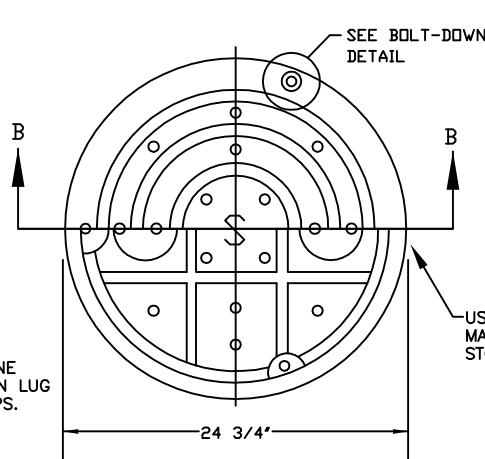


TAMPERPROOF MANHOLE RING

3-BOLT DOWN COVER

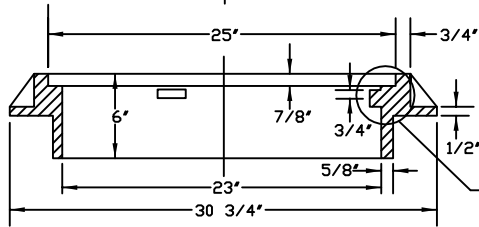


CENTER ONE BOLT DOWN LUG OVER STEPS.

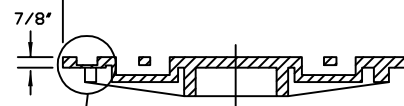


SEE BOLT-DOWN DETAIL

USE 2 HOLE FOR SANITARY MANHOLES; USE 16 HOLES FOR STORMWATER MANHOLES.



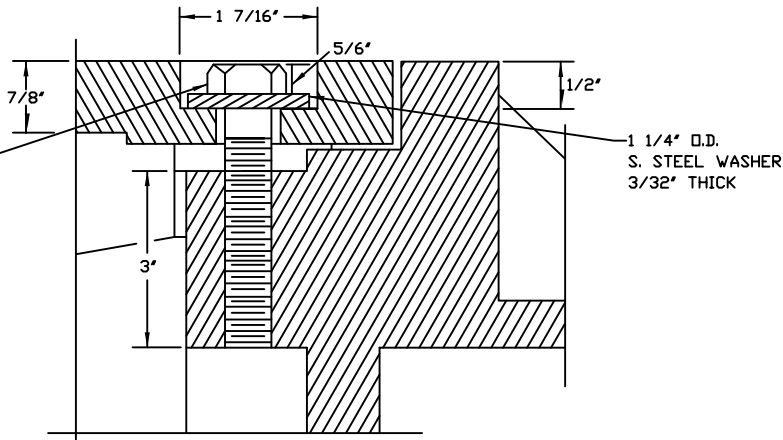
SECTION A-A



SECTION B-B

1/2"-13 N.C. X 1 1/8" HEX HEAD STAINLESS STEEL CAP SCREW. 3 REQ'D. PER COVER.

BOLT-DOWN DETAIL



NOTE: COVER AND FRAME SHALL BE OF GRAY CAST IRON A.S.T.M. A-48 CLASS 30.



WATER ENVIRONMENT SERVICES

A Department of Clackamas County

TITLE: SECURE MANHOLE DETAIL		SHEET: 1 OF 1
FILE NAME: SWM-0020	DRAWN BY: WDK	REV. DATE: 10/11/94
SCALE: NOT TO SCALE	DATE: 8/4/94	CHECKED BY: MDW