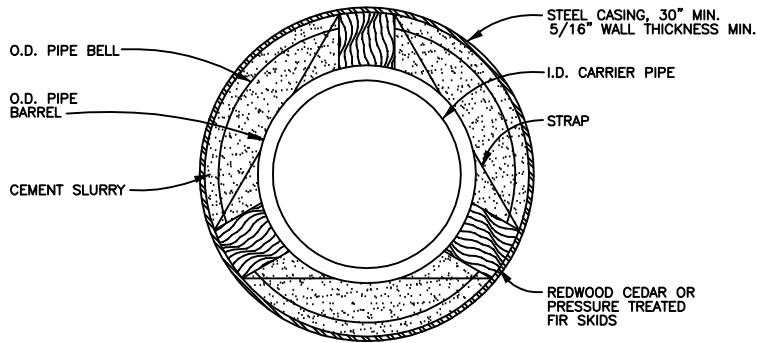


PLAN



SECTION A-A

NOTE:
PLUG ENDS OF CASING WITH CONCRETE.



**WATER
ENVIRONMENT
SERVICES**
A Department of Clackamas County

TITLE: BORE CASING DETAIL		SHEET: 1 OF 1
FILE NAME: SWM-0032	DRAWN BY: WDK	REV. DATE: 10/11/94
SCALE: NOT TO SCALE	DATE: 8/4/94	CHECKED BY: MDW